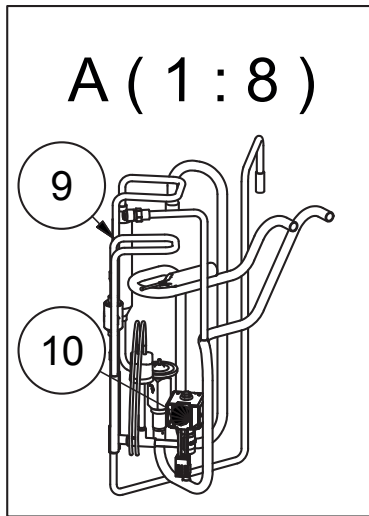
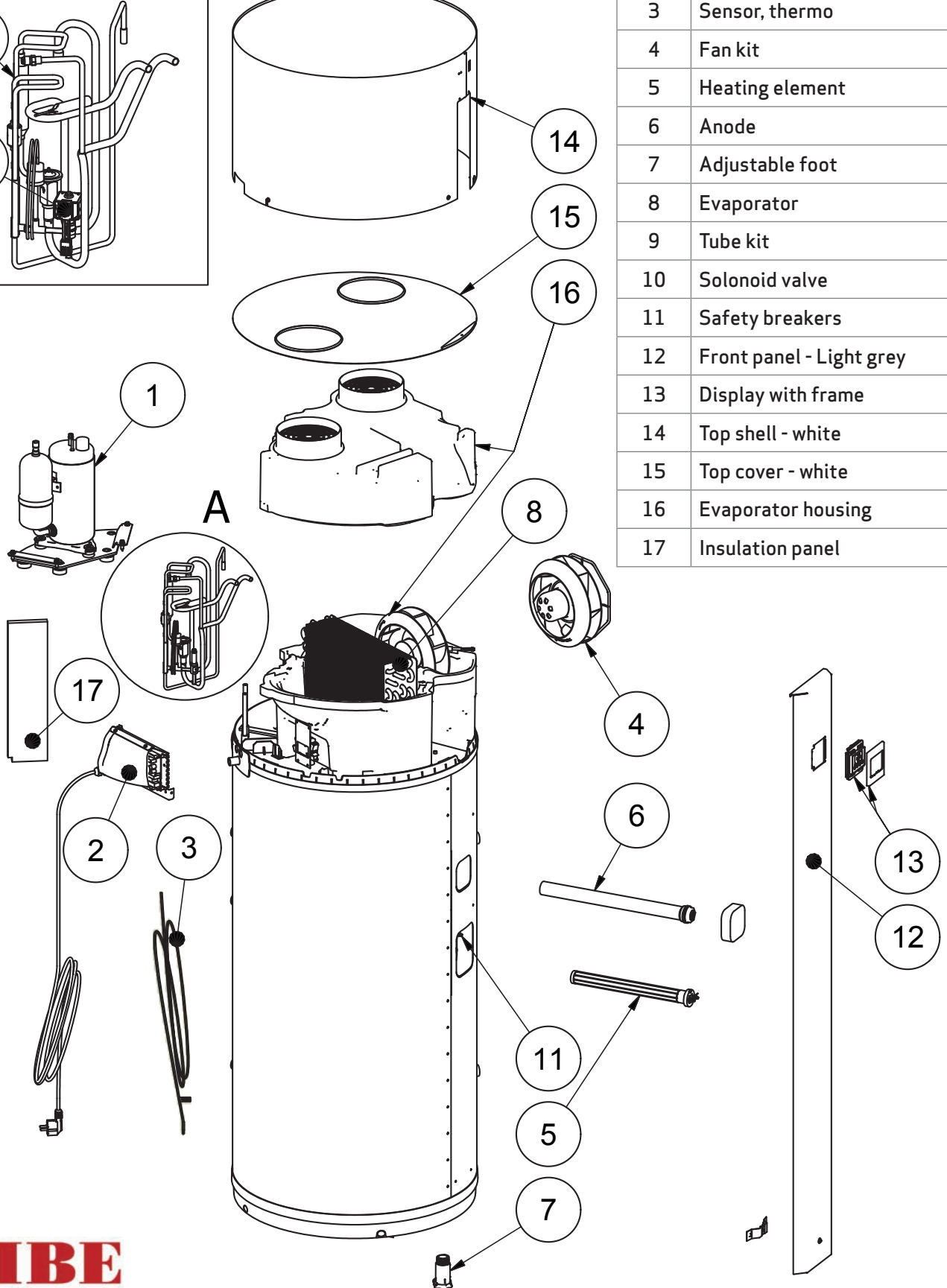


Spare parts list

NIBE MT-WH21



A (1:8)



Spare parts list	
Pos.	Description
1	Compressor
2	PCB board deluxe
3	Sensor, thermo
4	Fan kit
5	Heating element
6	Anode
7	Adjustable foot
8	Evaporator
9	Tube kit
10	Solonoid valve
11	Safety breakers
12	Front panel - Light grey
13	Display with frame
14	Top shell - white
15	Top cover - white
16	Evaporator housing
17	Insulation panel

Spare parts list

NIBE MT-WH21

Pos.	NIBE art. no.	Spare part name
1	219667	Compressor
2	718941	PCB Board Deluxe
3	409389	Sensor Thermo
4	718942	Fan kit
5	319001	Heating element
6	724047	Anode
7	437008	Adjustable foot
8	319002	Evaporator
9	319003	Tube kit
10	425887	Solonoid valve coil
11	718943	Safety breakers
12	436001 436002	Front panel 190 L - light grey Front panel 260 L - Light grey
13	718944	Display with frame
14	436003	Top shell - white
15	436004	Top cover - white
16	319004	Evaporator Housing
17	436005	Insulation panel